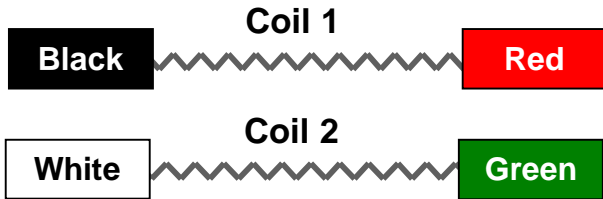




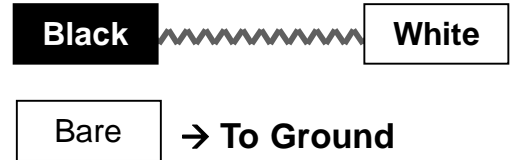
All MJS Pickups are shipped with a wiring diagram for your particular pickup(s). Just in case you've misplaced it, the following is a quick reference.

## Wiring for Humbuckers Only



- In all cases the Bare wire is Ground.
- Red is Power and Green as Ground.
- For "**Normal**" Pickup Operation – solder Black and White together, tape or shrink tube and put aside
- For "**Tapping/Coil Splitting**", solder Black and White to Ground or Grounding Switch
- If Pickup is Out of Phase when used in conjunction with a second Pickup – switch the Red and Green wires.
- MJS Pickups should be installed by a qualified repair person.

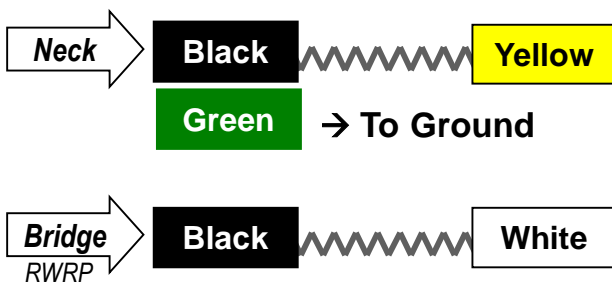
## Wiring for Split Single, Big Single, Big Single Retro, Rotary, Staple, The Kick & Stacked Pickups



For "Normal" Pickup operation:

- White is Power and Black is Ground.
- Bare is a separate ground for Baseplate.
- If Pickup is Out of Phase when used in conjunction with a second pickup – switch the White and Black wires.
- MJS Pickups should be installed by a reputable repair person.

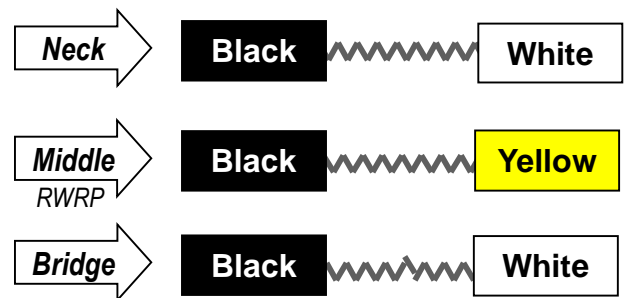
## Wiring for Tele®-Style Set with Cloth Wire



For "Normal" Pickup operation:

- Black is always Ground. Yellow and White is Power.
- On Tele® -Style Neck Pickup, Green is a separate ground for Metal Cover.
- This will produce Humbucking effect in the Middle position of your 3-way switch.
- MJS Pickups should be installed by a reputable repair person.

## Wiring for Strat®-Style Set with Cloth Wire



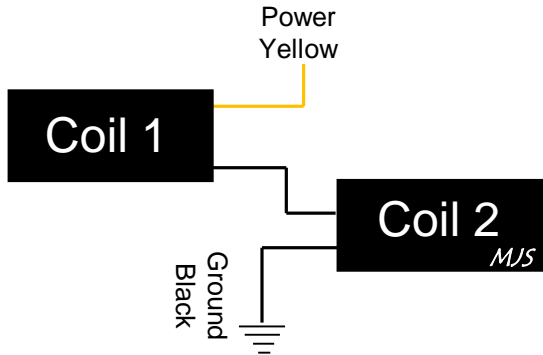
For "Normal" Pickup operation

- Black is always Ground. White & Yellow is Power.
- This will produce Humbucking effect in the 2 and 4 positions of your 5-way switch.
- MJS Pickups should be installed by a reputable repair person.



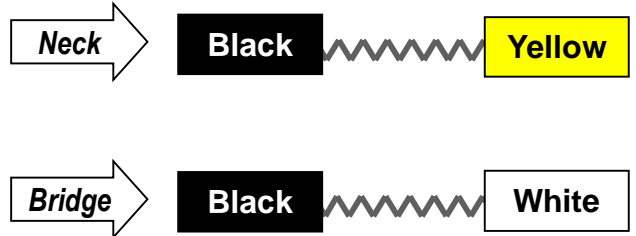
All MJS Pickups are shipped with a wiring diagram for your particular pickup(s). Just in case you've misplaced it, the following is a quick reference.

## Wiring for Precision Bass with Cloth Wire



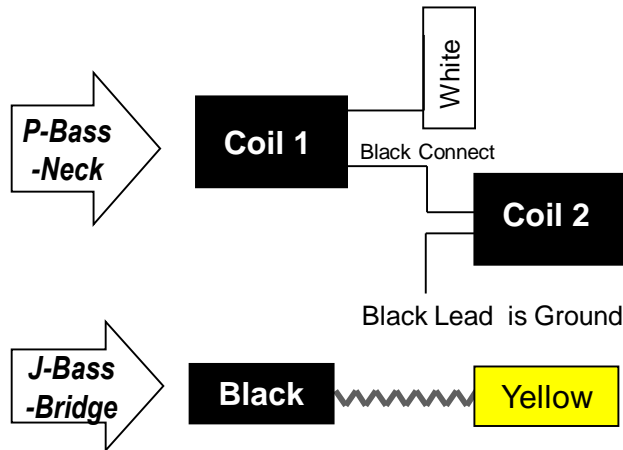
- Yellow is Power and Black is Ground.
- If Pickup is Out of Phase in conjunction with another pickup – switch the Yellow and Black wires.
- MJS Pickups should be installed by a reputable repair person.

## Wiring for Jazz Bass with Cloth Wire



- For "Normal" Pickup operation – Black is always Ground. Yellow & White is Power.
- This will produce Humbucking effect when using both pickups together.
- MJS Pickups should be installed by a reputable repair person.

## Wiring for Precision & Jazz Bass Combo with Cloth Wire



- For "Normal" Pickup operation – Black is always Ground
- Yellow and White is Power
- If Pickup is Out of Phase when used in conjunction with a second Pickup – switch the Black & Yellow wires on the BRIDGE Pickup.
- MJS Pickups should be installed by a reputable repair person.